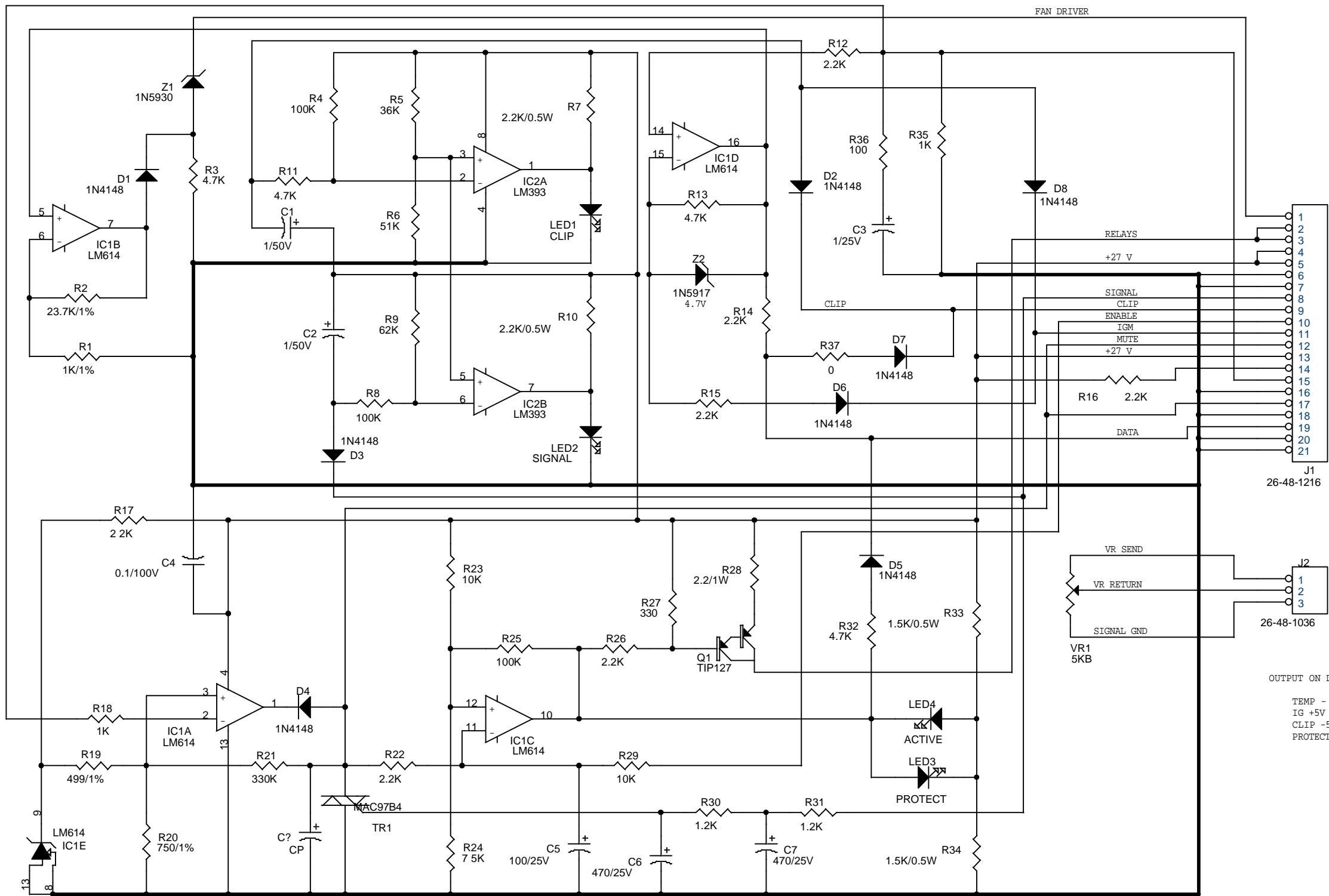




Schematic set

10001 Professional Series power amplifiers

1. Front display board
2. Octal board
3. Preamp
4. Fan driver
5. Power supply
6. Output module



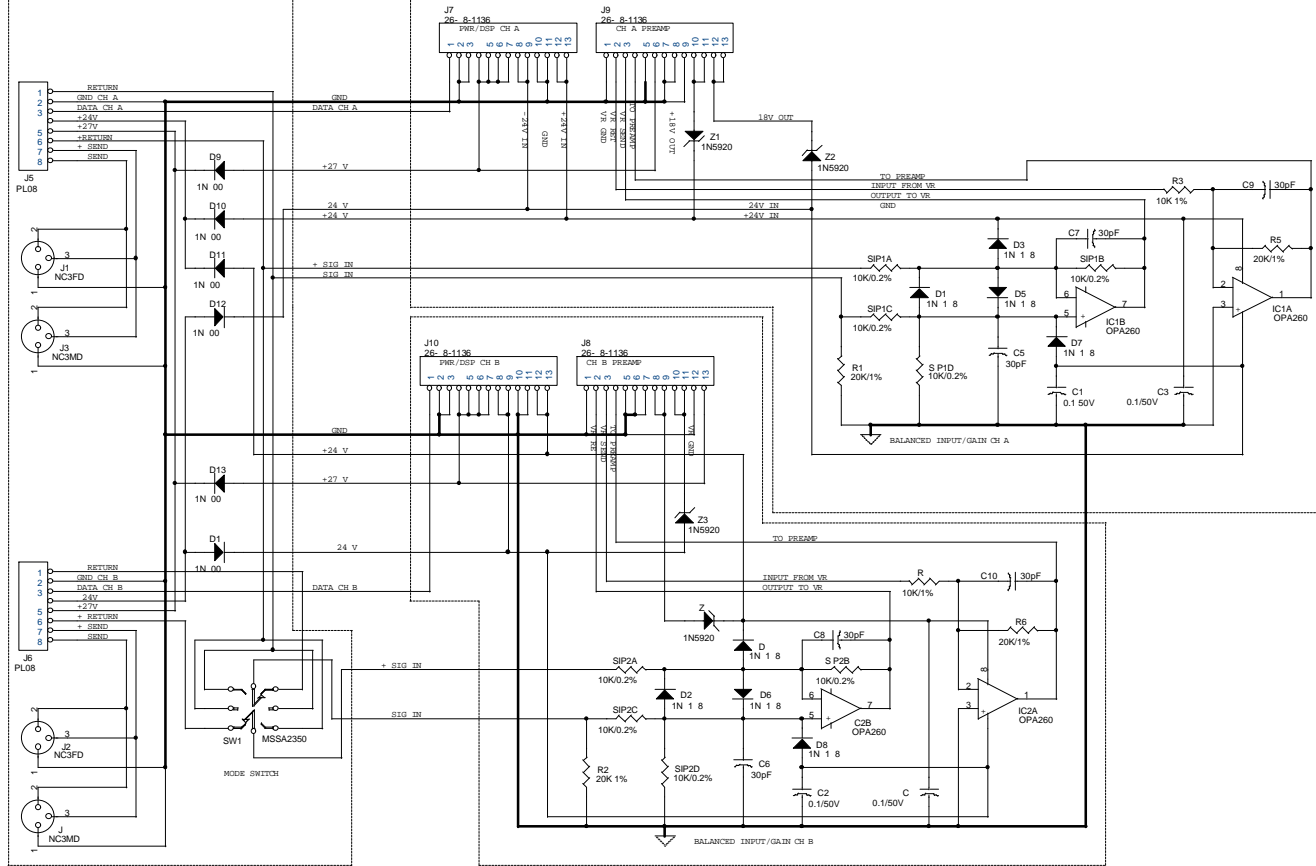
- FAN DRIVER
- 1 SPKR RELAY
 - 2 HIGH RAIL RELAY
 - 3 +27 V
 - 4 +27 V
 - 5 AUX GND
 - 6 AUX GND
 - 7 SIGNAL IN
 - 8 CLIP
 - 9 ENABLE RELAY
 - 10 IGM
 - 11 MUTE
 - 12 +27 V
 - 13 TEMP SENSOR POWER
 - 14 TEMP SENSOR OUTPUT
 - 15 TEMP SENSOR GND
 - 16 TRANS TEMP
 - 17 TRANS TEMP
 - 18 DATA
 - 19 AUX GND
 - 20 AUX GND
 - 21 AUX GND

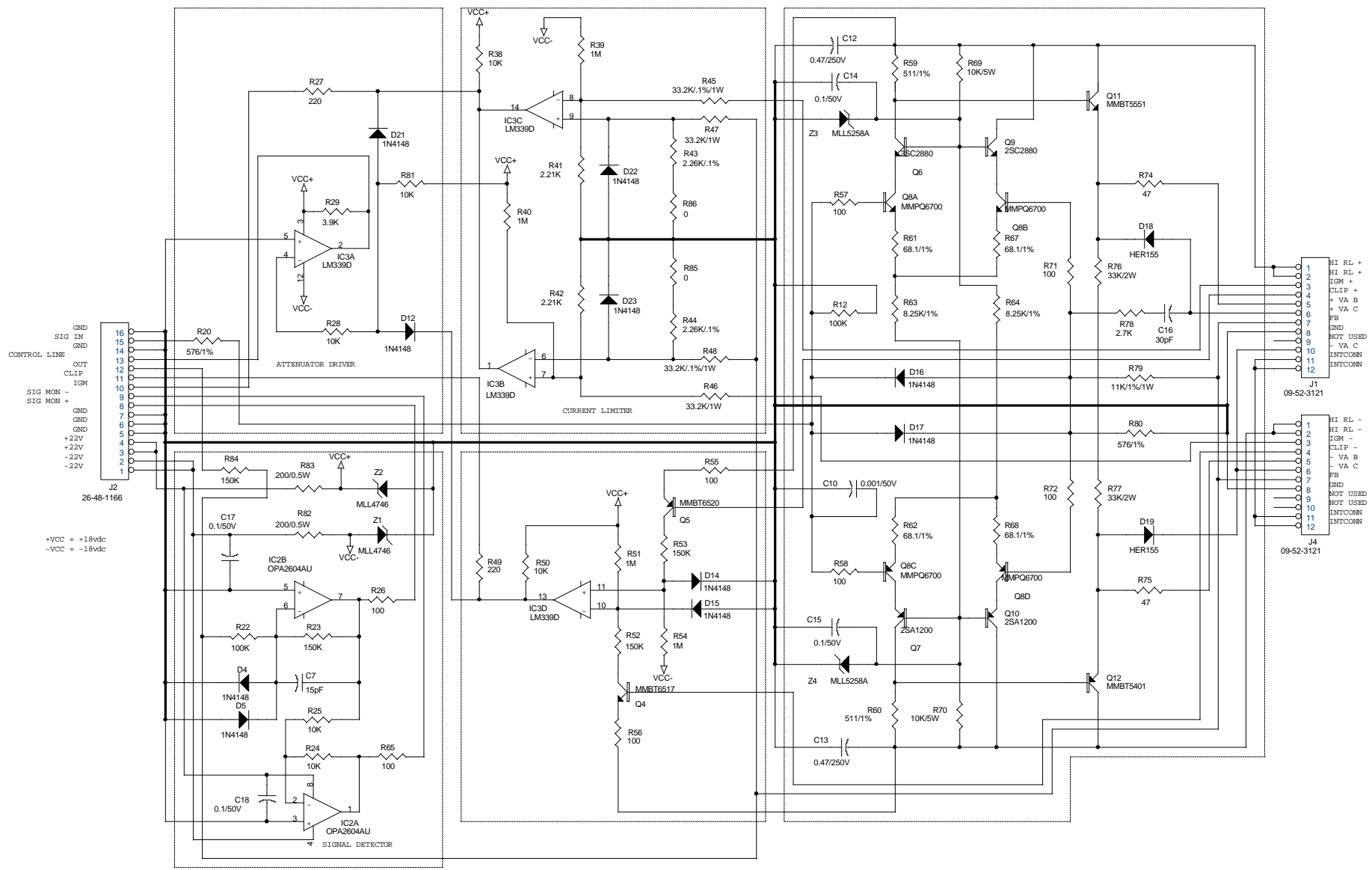
- J2
- 1 VR SEND
 - 2 VR RETURN
 - 3 SIGNAL GND

OUTPUT ON DATA LINE:

- TEMP - .25MV-1V
- IG +5V PULSE
- CLIP -5V PULSE
- PROTECT +10V

CREST AUDIO		
100 EISENHOWER DRIVE PARAMUS, NJ 07652		
Title 10001 DISPLAY PCB		
Size B	Document Number 21B1528	Rev
Date: Tuesday, September 12, 2000	Sheet 1	of 1

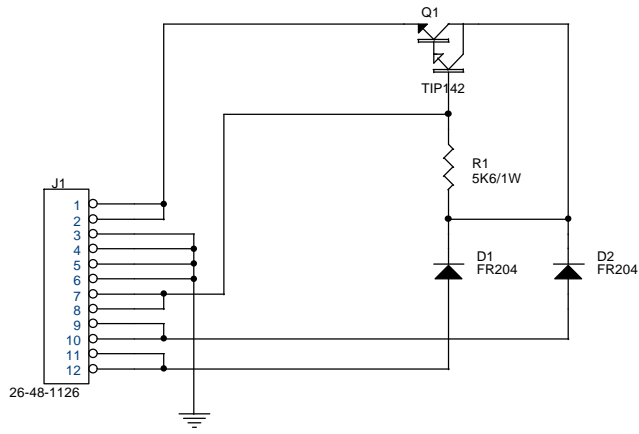




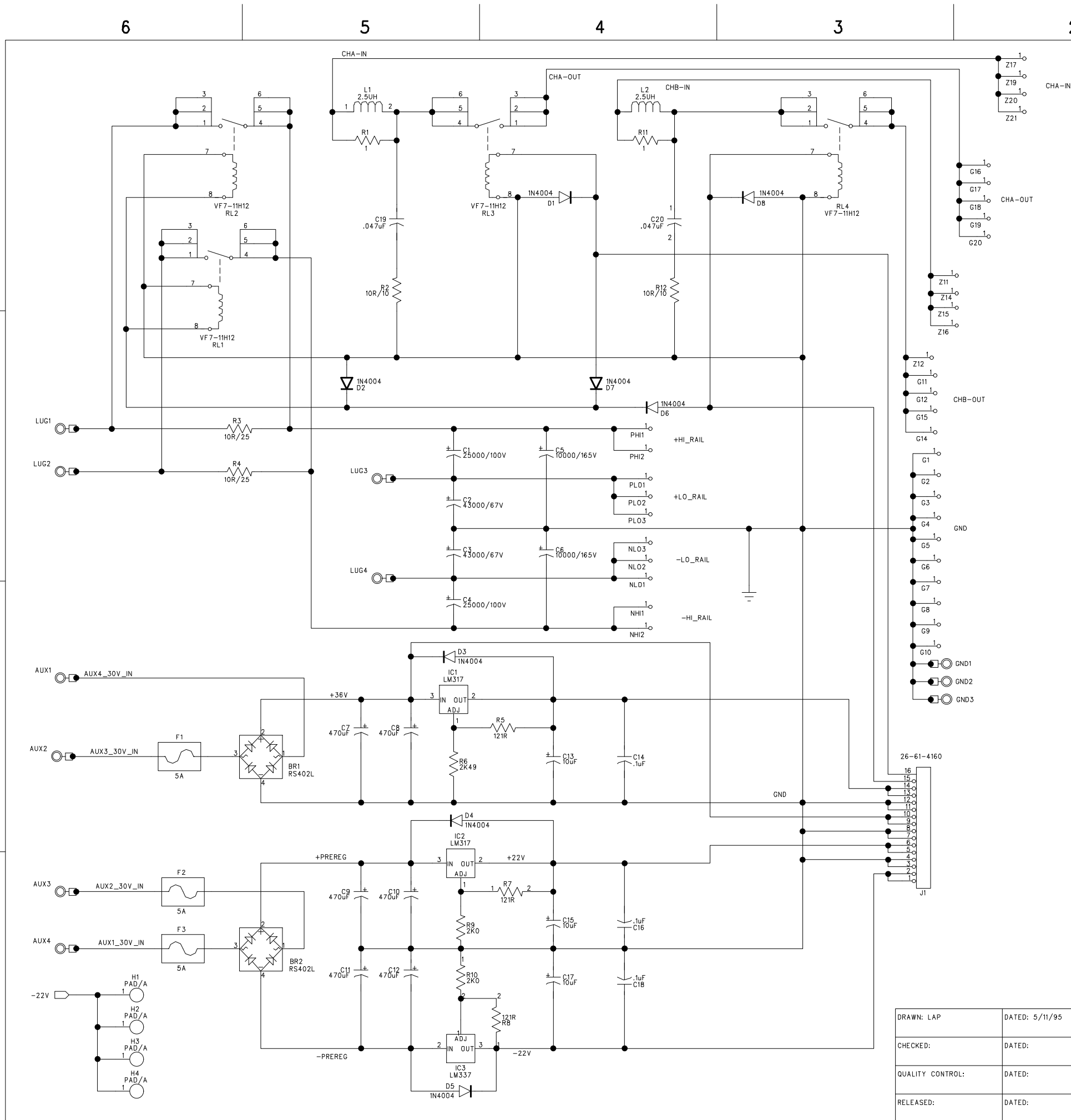
R84, R85 USED REV -04
 D11 NOT USED TILL REV 01

01-25-94 CHANGED R29 FROM 2.2K TO 3.9K
 5/7/96 UPDATED SCHEMATIC I.F.
 CHANGED Q6, Q9 FROM MMBT5551 TO 2SC2880
 CHANGED Q7, Q10 FROM MMBT5401 TO 2SA1200
 CHANGED Q4 FROM MMBT5551 TO MMBT6517
 CHANGED Q5 FROM MMBT5401 TO MMBT6520

CREST AUDIO		
100 EISENHOWER DRIVE PARAMUS, NJ 07652		
Title 10001 PREAMP		
Size C	Document Number	Rev
Date Monday, May 15, 2000	Sheet 0 of 0	



CREST AUDIO		
100 EISENHOWER DRIVE PARAMUS, NJ 07652		
Title		1000X FAN DRIVER
Size	Document Number	Rev
A	21A1749	
Date:	Tuesday, May 16, 2000	Sheet 0 of 0



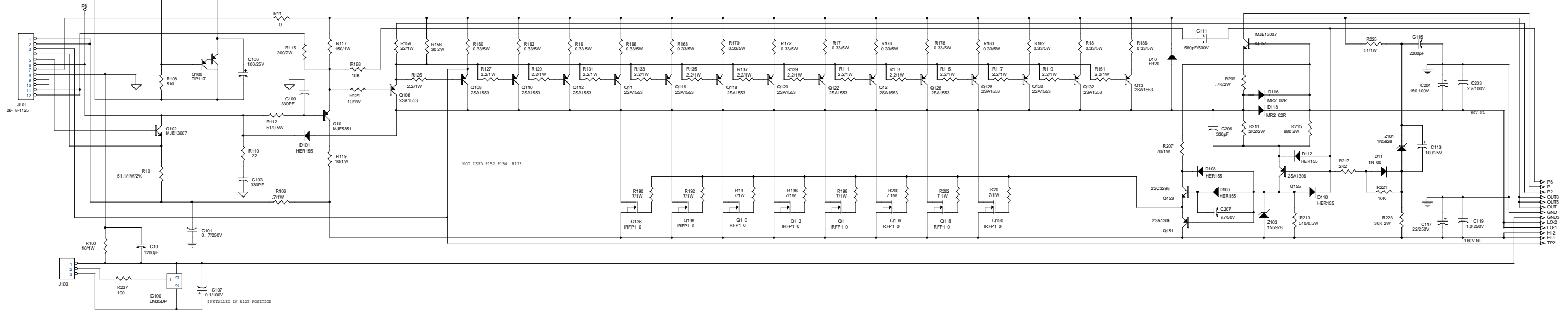
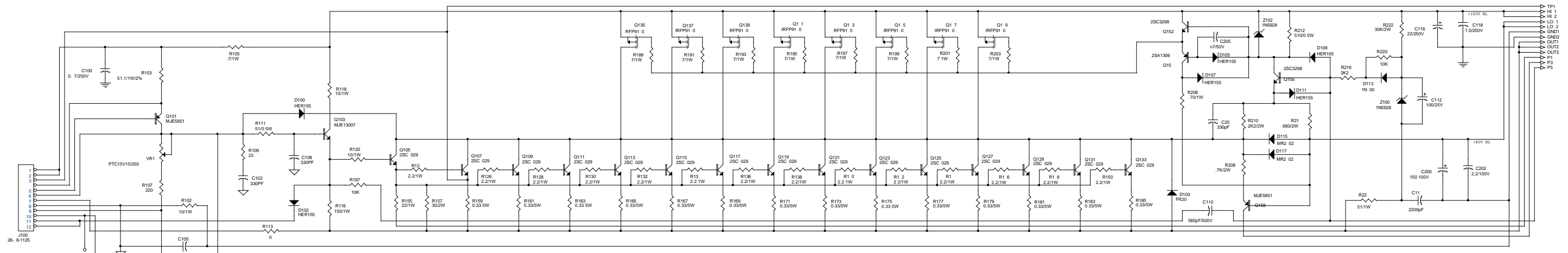
REVISION RECORD			
LTR	ECO NO:	APPROVED:	DATE:
	3325		5/09/99

CREST AUDIO

TITLE: 10K1 SERIES POWER SUPPLY

DRAWN: LAP	DATED: 5/11/95	CODE:	SIZE:	DRAWING NO: 26C1482	REV: 01
CHECKED:	DATED:	C			
QUALITY CONTROL:	DATED:				
RELEASED:	DATED:				

SCALE: SHEET: 1 OF 1



8/17/92 C107 CHANGED VALUE AND WAS CONNECTED TO SUPPLY END OF LM35
 1/8/93 ADDED 2 W05FETS AND RESISTORS
 4/1/93 ADDED C208 C209
 5/12/93 DELETED C208 AND C209
 5/14/93 ADDED R237
 11/30/93 1 CHANGED VALUES OF R210 R211 R212 R213 R214 R215 R216 R217
 2 ADDED ZENER D102 D103